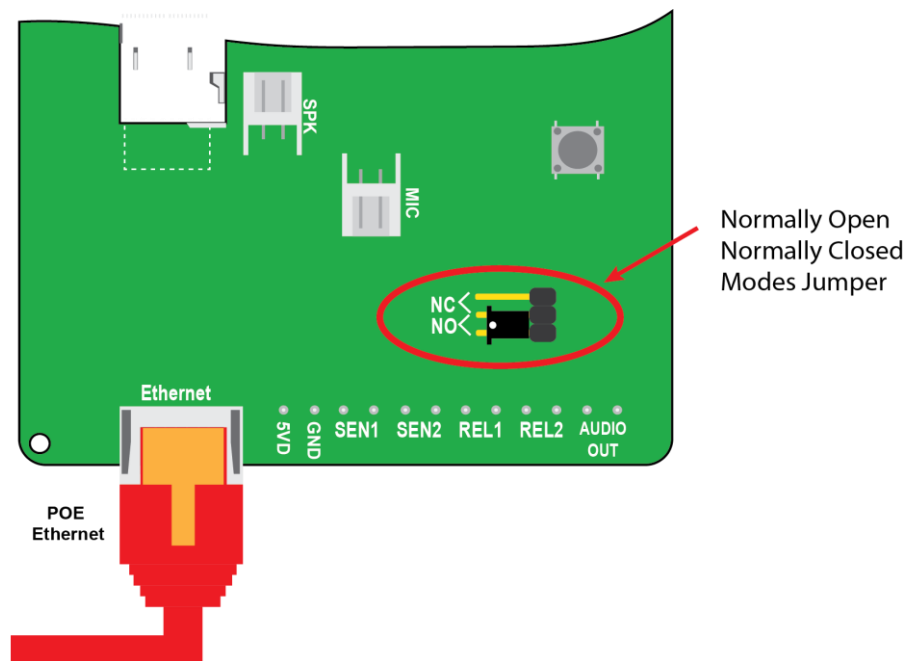


<b>Nista Devices Technical Support:</b>	
	<b>+41 55 5085814</b>
	<b>support@nistadevices.com</b>
Documentation on all Nista Devices GmbH products can be found on the website - <a href="http://www.nistadevices.com/">http://www.nistadevices.com/</a>	

# 1 How to connect a door lock with an own power supply

IP394X Door Phones use a voltage free relays to control external devices like electrical door locks. Relays contacts 'REL1' and 'REL2' pins can be in Normally Open (NO) or Normally Closed (NC) states. 'Normally Open (NO)' state means the disconnected voltage free loop between 'REL1/2' pins and 'Normally closed (NC)' state means closed loop between 'REL1/2' pins.

The NO/NC state specified by NC/NO jumper position



**Note:**

The Relay 2 (REL2) works only in 'Normally Open' mode.

## 2 Controlling a Door lock with its own power supply

Any device (e.g. 24V lock) that needs to be controlled via the IP394X relay needs to have the 0V line from its own power supply wired to REL1/2 one pin and the lock wired to REL1/2 second pin; the +V lock voltage is wired directly from the supply to the lock.

